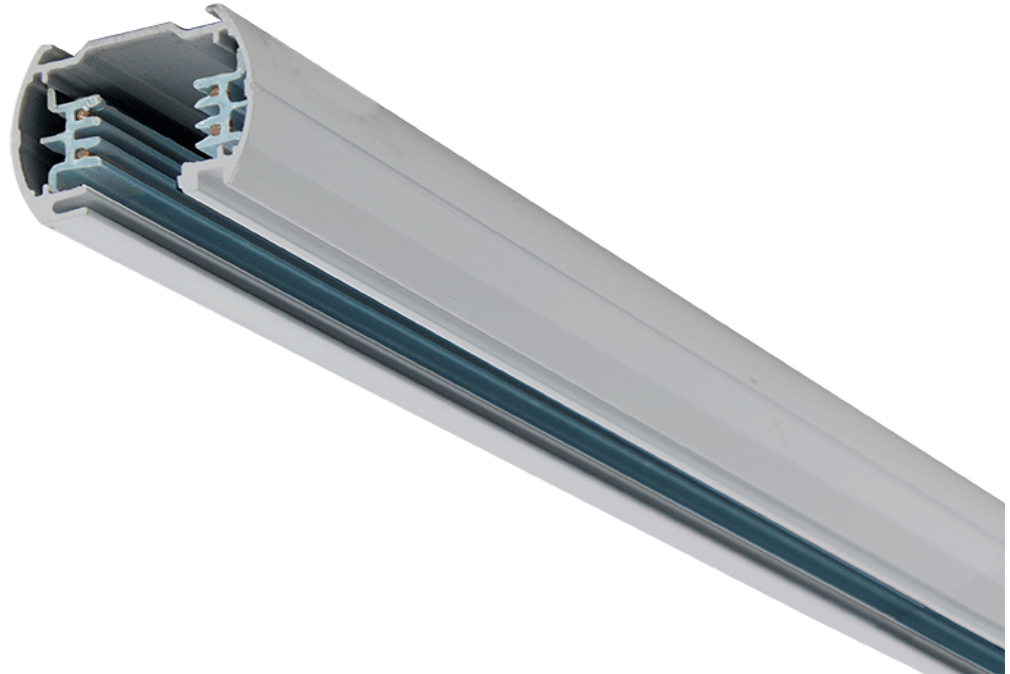


# TRIO

Mains 3 circuit track system



1 YR

IP20



### Features:

- 3 Circuit professional track system
- Full range of connectors available
- Allows multi switching of spotlights
- Available in 3 colour finishes

### Construction:

Extruded aluminium rigid track with copper core conductors in grey as standard

### Options:

- ALUM - Matt aluminium
- B - Black (RAL 9005)
- W - White

# TRIO

Mains 3 circuit track system

### Order Codes

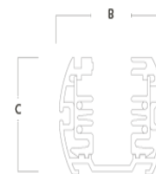
All dimensions are in millimetres

Order code	Description	Lumens (lm)	Total power (W)	Efficacy (lm/W)	Weight (kg)
T32000	2000mm track section		0		2.20
T31000	1000mm track section		0		1.10

### Dimensions

All dimensions are in millimetres

Order code	A	B	C
T32000	2000	42	33
T31000	1000	42	33



### Installation instructions:

Surface fix via centre fixing hole

### To specify:

230V 3 circuit track system as per Tamlite TRIO range

Please Note: Order codes listed are for standard (non-emergency) versions only. For all other gear options, please contact Tamlite Lighting.