

EXPLORER RL

High efficiency LED road lantern



Features:

Modern road lantern for car parks or urban areas

Impact resistance - IK10

Easy access for installation

CRI: Ra>80

Up to 108 lumens per Watt efficacy

50,000 hours lifetime (L70/B50)

Construction:

Die-cast aluminium body finished in grey (RAL 9023 & 7040)

4mm thick toughened glass

Suitable for post top and side entry EXPRL102NW/103 & 105 - 48mm-60mm spigot mounting

EXPRL207NW/208 & 210 - 60mm-76mm spigot mounting

Supplied as standard with neutral white (4000K) LED

Options:

WW - Warm white (3000K)

DL - Daylight (6500K)

EXPLORER RL

High efficiency LED road lantern

Order Codes

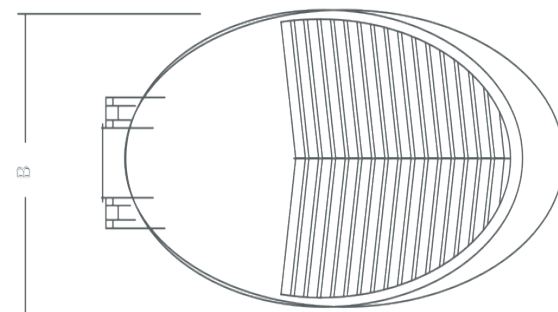
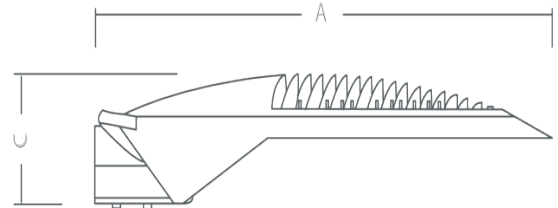
All dimensions are in millimetres

Order code	Description	Lumens (lm)	Total power (W)	Efficacy (lm/W)	Weight (kg)
EXPRL102NW	31W - 4000K	3100	31	100	5.60
EXPRL103NW	37W - 4000K	3800	37	103	5.60
EXPRL105NW	61W - 4000K	6600	61	108	5.90
EXPRL207NW	97W - 4000K	10800	97	111	10.60
EXPRL208NW	114W - 4000K	11900	114	104	10.90
EXPRL210NW	127W - 4000K	13500	127	106	10.90

Dimensions

All dimensions are in millimetres

Order code	A	B	C
EXPRL102NW	644	303	132
EXPRL103NW	644	303	132
EXPRL105NW	644	303	132
EXPRL207NW	864	375	168
EXPRL208NW	864	375	168
EXPRL210NW	864	375	168



Installation instructions:

Suitable for post top and side entry spigot mounting, and wired 3-way connection block

To specify:

High efficiency LED street lantern as per EXPLORER RL range

Please Note: Order codes listed are for standard (non-emergency) versions only. For all other gear options, please contact Tamlite Lighting.