

# i5

High output recessed adjustable LED downlight



5 YR

IP20



### Features:

High performance adjustable LED downlight

Suitable for retail applications

Fully adjustable up to 350°; rotation and 45°; tilt

Available in TamliteCRISP, TamliteWHITE and TamliteRED (<https://www.tamlite.co.uk/retail>)

Gear options including dimmable, DALI and emergency available

CRI: Ra>80

Up to 97 lumens per Watt efficacy

50,000 hours lifetime (L70/B50)

### Construction:

Die-cast aluminium body finished in white (RAL 9010)

Polished aluminium reflector

Remote driver

Supplied as standard with neutral white (4000K) LED

### Options:

HFD - Digital dimmable version

D - Dimmable DALI

RM3 - Remote maintained 3 hours emergency

WW - Warm white (3000K)

# i5

High output recessed adjustable LED downlight

### Order Codes

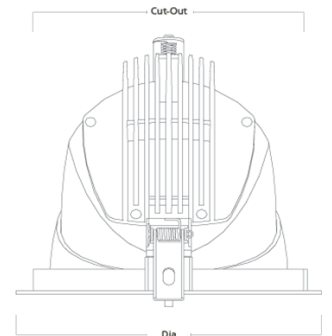
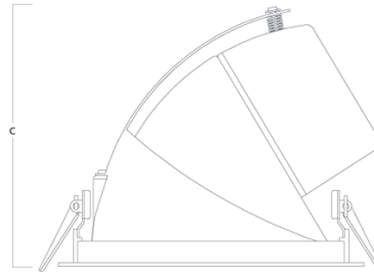
All dimensions are in millimetres

Order code	Description	Lumens (lm)	Total power (W)	Efficacy (lm/W)	Weight (kg)
TMHGLED2000NW	20W - 4000K	1900	20	95	1.74
TMHGLED3000NW	30W - 4000K	2900	30	97	1.74
TMHGLED4000NW	39W - 4000K	3800	39	97	1.74

### Dimensions

All dimensions are in millimetres

Order code	C	Diameter	Cut out
TMHGLED2000NW	175	205	195
TMHGLED3000NW	175	205	195
TMHGLED4000NW	175	205	195



### Installation instructions:

Recessed into plasterboard or exposed grid ceiling via spring clip

### To specify:

High output recessed LED downlight as per Tamlite i5 range

Please Note: Order codes listed are for standard (non-emergency) versions only. For all other gear options, please contact Tamlite Lighting.