

HYLITE

Professional downlight LED module



5 YR

IP20



Features:

- Recessed multi-spot LED gimbal for retail or accent areas
- Available as single, twin, triple or quad spot modules
- Fully adjustable and rotatable spot heads
- Choice of medium or narrow beam reflectors
- Choice of black (RAL 9005) or grey (RAL 9006) colour trim
- Available in [TamliteCRISP](https://www.tamlite.co.uk/retail), TamliteWHITE and TamliteRED
- CRI: Ra>80
- Up to 104 lumens per Watt efficacy
- 50,000 hours lifetime (L80/B10)

Construction:

- Steel body finished in white (RAL 9016)
- Supplied as standard with neutral white (4000K) LED

Options:

- WW - Warm white (3000K)
- B - Black (RAL 9005)
- Gy - Grey (RAL 9006)
- NB - Narrow beam

HYLITE

Professional downlight LED module

Order Codes

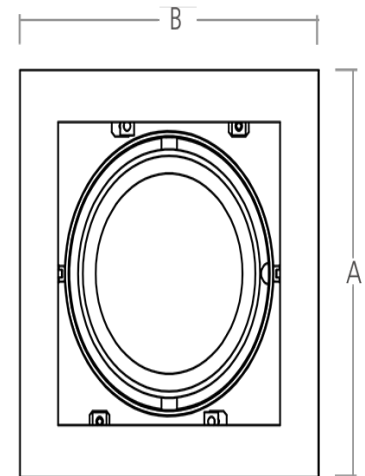
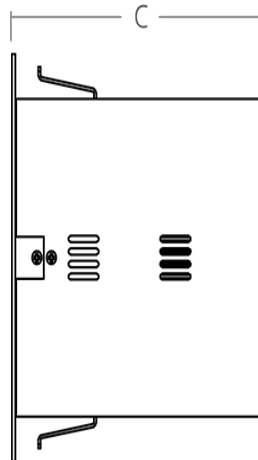
All dimensions are in millimetres

Order code	Description	Lumens (lm)	Total power (W)	Efficacy (lm/W)	Weight (kg)
HY270NWMBW	26W - 4000K	2700	26	104	2.10
HY540NWMBW	52W - 4000K	5400	52	104	4.20
HY810NWMBW	78W - 4000K	8100	78	104	6.30
HY1080NWMBW	108W - 4000K	10800	108	100	7.50

Dimensions

All dimensions are in millimetres

Order code	A	B	C
HY270NWMBW	195	195	164
HY540NWMBW	348	195	164
HY810NWMBW	501	195	164
HY1080NWMBW	348	348	164



Installation instructions:

Recessed into plasterboard or exposed grid ceiling via side arm brackets.

To specify:

Recessed LED module as per Tamlite HYLITE range

Please Note: Order codes listed are for standard (non-emergency) versions only. For all other gear options, please contact Tamlite Lighting.