

# EM PRO

Recessed emergency downlight



5 YR

IP20



### Features:

- Recessed downlight for open areas and escape routes
- Virtually service free emergency lighting
- Easy to install with simple connection wiring
- Available as basic, DALI and auto self-test versions
- Small ceiling hole 40-43mm with 80mm height
- Very low stand-by power loss
- Maintained and non-maintained versions
- Available with [e-CONNECT](https://www.tamlite.co.uk/e-connect/)

### Construction:

- Polycarbonate body finished in white
- Lithium iron phosphate (LiFePO<sub>4</sub>) batteries
- Integral driver
- Supplied as standard with daylight (6500K) LED

### Options:

- D3 - DALI self test
- A3 - Emergency self test

# EM PRO

Recessed emergency downlight

### Order Codes

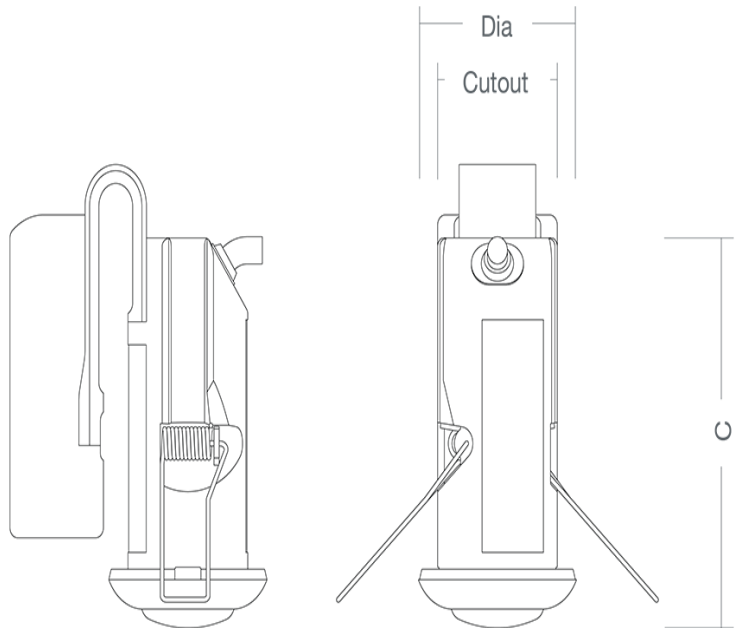
All dimensions are in millimetres

Order code	Description	Lumens (lm)	Total power (W)	Efficacy (lm/W)	Weight (kg)
LEDLUXR2A	2W - 6500K	200	2	100	0.22

### Dimensions

All dimensions are in millimetres

Order code	C	Diameter	Cut out
LEDLUXR2A	80	51	40-43



### Installation instructions:

Recessed fix via fixing springs and wired via 3-way termination box

### To specify:

Recessed compact LED emergency downlight as per Tamlite EMLED range

Please Note: Order codes listed are for standard (non-emergency) versions only. For all other gear options, please contact Tamlite Lighting.