

CYCLONE T8

IP65 weatherproof fluorescent with T8 LED lamps



Features:

- IP65 weatherproof fixture
- Wide range of lamp and gear options
- Suitable for car parks, plant rooms and other industrial applications
- IK08 Impact Rated

Construction:

- Glass reinforced polyester body
- Copol diffuser
- Poured liquid gasket
- Nylon diffuser clips

Options:

- V205 - Batten-fit PIR
- V206 - Batten-fit PIR and photocell
- V207 - Batten-fit with daylight dimming
- V215 - IP65 Batten-fit PIR
- V216 - IP65 Batten-fit PIR and photocell
- HF - High frequency control gear
- HFR - High frequency analogue dimming
- HFS - Microwave movement sensor
- HFD - Digital dimmable version
- HFSD - Dimmable microwave movement sensor
- M3 - 3 hours integrated emergency
- A3 - Emergency self test

CYCLONE T8

IP65 weatherproof fluorescent with T8 LED lamps

Order Codes

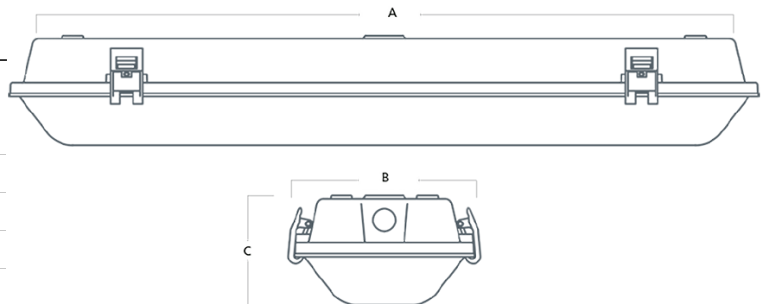
All dimensions are in millimetres

Order code	Description	Weight (kg)
NCF18	1 x 18W T8	2.3
NCF36	1 x 36W T8	2.85
NCF218	2 x 18W T8	2.35
NCF58	1 x 58W T8	3.65
NCF70	1 x 70W T8	4.2
NCF236	2 x 36W T8	4.5
NCF258	2 x 58W T8	5.75
NCF270	2 x 70W T8	6.95

Dimensions

All dimensions are in millimetres

Order code	A	B	C
NCF18	696	178	101
NCF36	1306	110	101
NCF218	696	178	101
NCF58	1605	110	101
NCF70	1867	110	101
NCF236	1306	178	101
NCF258	1605	178	101
NCF270	1867	178	101



Installation instructions:

BESA fixing facility

To specify:

IP65 weatherproof LED luminaire as per Tamlite CYCLONE range

Please Note: Order codes listed are for standard (non-emergency) versions only. For all other gear options, please contact Tamlite Lighting.