

# CRUSADER

High efficiency LED road lantern



5 YR

IP66



### Features:

Modern road lantern for car parks or urban areas

Available in 3 different

lumen outputs

DALI and photocell options available

CRI: Ra>80

Up to 111 lumens per Watt efficacy

50,000 hours lifetime (L70/B50)

### Construction:

Extruded aluminium body finished in grey (RAL 9006)

Glass diffuser

Top or side entry SPIGOT (48-60mm or 60-76mm)

Integral driver

Stainless steel external screws

Supplied as standard with daylight (6500K) LED

### Options:

PC - Photocell

D - Dimmable DALI

WW - Warm white (3000K)

NW - Neutral white (4000K)

# CRUSADER

High efficiency LED road lantern

### Order Codes

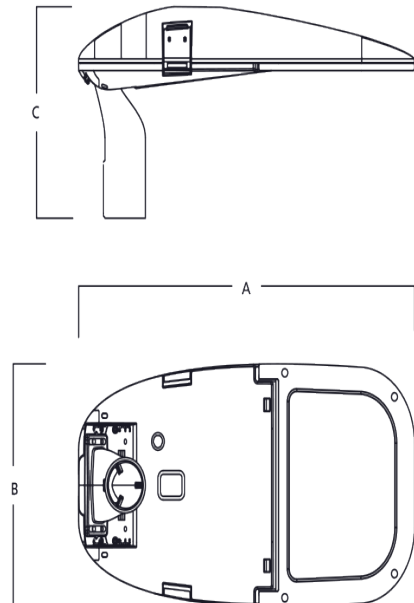
All dimensions are in millimetres

Order code	Description	Lumens (lm)	Total power (W)	Efficacy (lm/W)	Weight (kg)
CRU410DL	40W - 6500K	4100	40	103	10.10
CRU970DL	92W - 6500K	9700	92	105	10.50
CRU1700DL	153W - 6500K	17000	153	111	15.40

### Dimensions

All dimensions are in millimetres

Order code	A	B	C
CRU410DL	758	332	167
CRU970DL	758	332	167
CRU1700DL	877	402	182



### Installation instructions:

Fixed via 42 - 76mm dia. Vertical spigot or side entry spigot and wired via 3-way connection block

### To specify:

High efficiency LED road lantern as per Tamlite "CRUSADER"™ range

Please Note: Order codes listed are for standard (non-emergency) versions only. For all other gear options, please contact Tamlite Lighting.