

CITY GL

High output exterior accent ground light



Features:

- High output ground light suitable for architectural applications
- Built for fit-and-forget installations
- Vandal resistant (Maximum load at 30mph of 1840kg)
- Supplied with 24° reflector
- CRI: Ra>80
- Up to 56 lumens per Watt efficacy
- 30,000 hours lifetime (L70/B50)

Construction:

- Die-cast aluminium body finished in silver (RAL 9005)
- Stainless steel trim (SUS 316L)
- PVC mounting sleeve
- Integral driver
- Supplied with 0.5m H05RN 3-core, 1.0mm₂ cables and PG-9 PVC cable gland
- Symmetric beam as standard
- Supplied as standard with neutral white (4000K)

Options:

No options available

CITY GL

High output exterior accent ground light

Order Codes

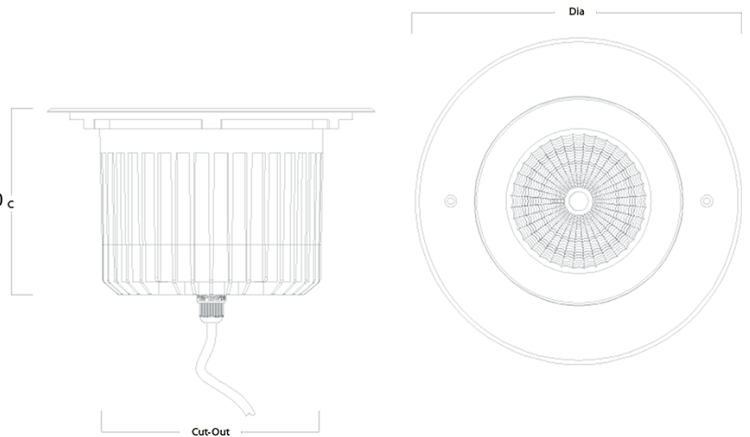
All dimensions are in millimetres

Order code	Description	Lumens (lm)	Total power (W)	Efficacy (lm/W)	Weight (kg)
TA2020GL13NW	13W - 4000K	600	13	46	2.60
TA2020GL19NW	19W - 4000K	1000	19	53	3.00
TA2020GL32NW	32W - 4000K	1800	32	56	7.40

Dimensions

All dimensions are in millimetres

Order code	C	Diameter	Cut out
TA2020GL13NW	142	173	163 X 220
TA2020GL19NW	158	210	179 x 220
TA2020GL32NW	176	250	222 x 220



Installation instructions:

Recessed into PVC mounting sleeve,
fixed with stainless steel screws

To specify:

LED ground light as per Tamlite CITY GL range

Please Note: Order codes listed are for standard (non-emergency) versions only. For all other gear options, please contact Tamlite Lighting.