

2020 i3

Recessed adjustable LED downlight



Features:

- High quality LED light source, ideal for retail applications
- High efficiency LED module with remote driver
- Fully adjustable up to 350° rotation and 45° tilt
- Full range of gear options including dimmable, DALI and emergency available
- CRI: Ra>80
- Up to 100 lumens per Watt efficacy
- 50,000 hours lifetime (L70/B50)

Construction:

- Die-cast aluminium body finished in white (RAL 9010)
- Polished aluminium reflector
- Remote driver
- Supplied as standard with neutral white (4000K) LED

Options:

- HFD - Digital dimmable version
- DALI - DALI dimming control gear
- RM3 - Remote maintained 3 hour emergency
- WW - Warm white (3000K)

2020 i3

Recessed adjustable LED downlight

Order Codes

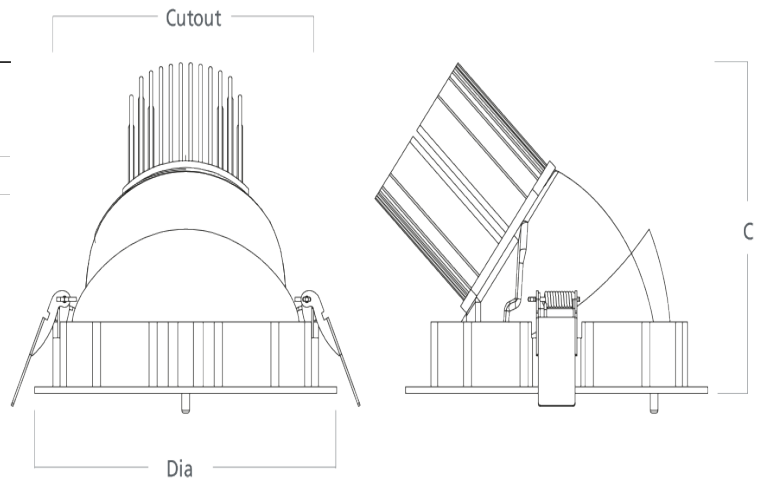
All dimensions are in millimetres

Order code	Description	Lumens (lm)	Total power (W)	Efficacy (lm/W)	Weight (kg)
TD20MCR160NW	20W - 4000K	2000	20	100	0.95
TD20MCR250NW	30W - 4000K	3000	30	100	0.95

Dimensions

All dimensions are in millimetres

Order code	C	Diameter
TD20MCR160NW	125	155
TD20MCR250NW	125	155



Installation instructions:

Recessed into plasterboard or exposed grid ceiling via spring clips

To specify:

High output recessed LED downlight as per Tamlite i3 range

Please Note: Order codes listed are for standard (non-emergency) versions only. For all other gear options, please contact Tamlite Lighting.