

# 2020 GL

High output exterior accent ground light



5 YR

IP67



### Features:

High output ground light suitable for architectural applications

Built for fit-and-forget installations

Vandal resistant (Maximum load at 30mph of 1840kg)

Supplied with 24° reflector

CRI: Ra>80

Up to 56 lumens per Watt efficacy

30,000 hours lifetime (L70/B50)

### Construction:

Die-cast aluminium body finished in silver (RAL 9005)

Stainless steel trim (SUS 316L)

PVC mounting sleeve

Integral driver

Supplied with 0.5m H05RN 3-core, 1.0mm\_ cables and PG-9 PVC cable gland

Symmetric beam as standard

Supplied as standard with neutral white (4000K)

### Options:

No options available

# 2020 GL

High output exterior accent ground light

### Order Codes

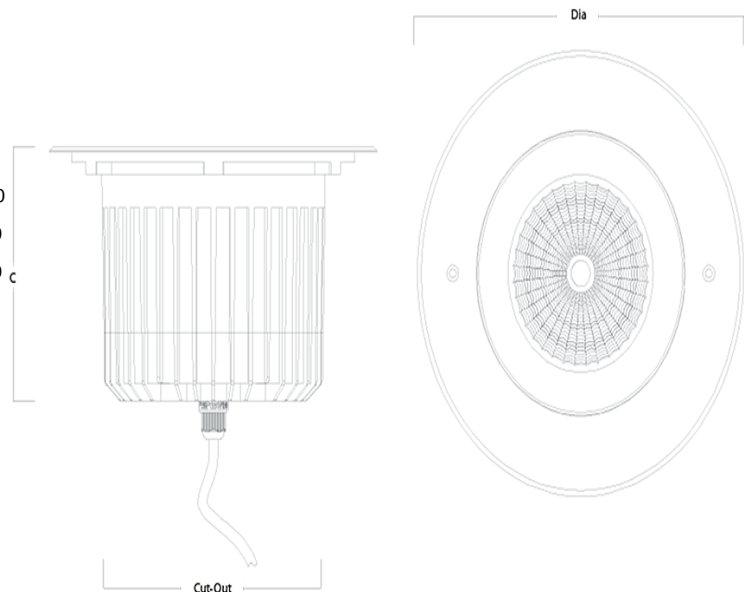
All dimensions are in millimetres

Order code	Description	Lumens (lm)	Total power (W)	Efficacy (lm/W)	Weight (kg)
TA2020GL13NW	13W - 4000K	600	13	46	2.6
TA2020GL19NW	19W - 4000K	1000	19	53	3.00
TA2020GL32NW	32W - 4000K	1800	32	56	7.4

### Dimensions

All dimensions are in millimetres

Order code	C	Diameter	Cut out
TA2020GL13NW	142	173	163 X 220
TA2020GL19NW	158	210	179 x 220
TA2020GL32NW	176	250	222 x 220



### Installation instructions:

Recessed into PVC mounting sleeve,  
fixed with stainless steel screws

### To specify:

LED ground light as per Tamlite 2020 GL range

Please Note: Order codes listed are for standard (non-emergency) versions only. For all other gear options, please contact Tamlite Lighting.