





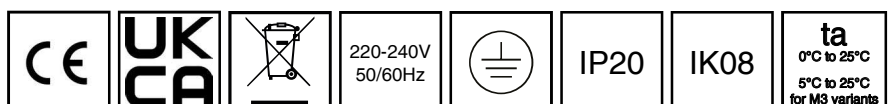
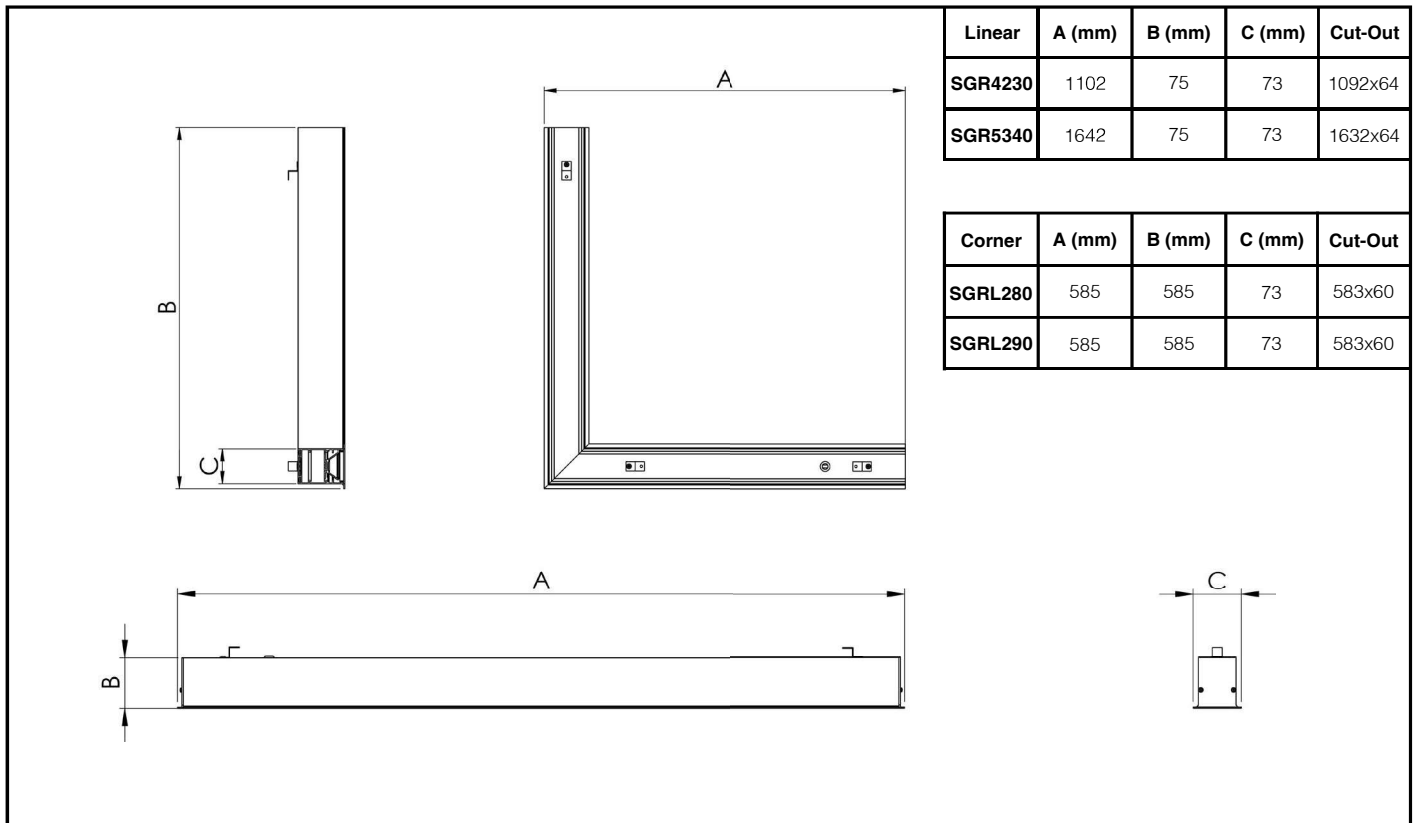
Product Name: SIGNUM R

General information

- This luminaire must be installed in accordance with the latest edition of the IET Wiring Regulations and local Building Regulation by a qualified competent person.
- The mains power supply must be turned off before inspection, installation or removal of the luminaire, ensuring that the supply is locked off to prevent inadvertently switching the supply on.
- It is the installer's responsibility to ensure that the installation is suitable for the total load of the luminaire(s). The supply cable fuses/circuit breakers must be correctly rated for the electrical load and taking into account for any transient inrush currents that may occur.
- It is the installer's responsibility to ensure that the environmental operating and storage conditions are complied with and that any fire risks are considered.
- Do not perform insulation strength or insulation resistance tests on the installation with the luminaire(s) connected, this can damage the luminaires and give erroneous readings.
- Do not loop-in supply cables at the luminaire supply terminals unless there is provision for 2-way connection at the terminals.
- The light source contained in this luminaire must only be replaced by Tamlite Lighting or an appointed service agent.
- Emergency lighting luminaires must be installed and maintained in accordance with the emergency lighting standard BS 5266-1.
- To ensure that the product warranty remains valid, the luminaire must be installed and maintained in accordance with these installation instructions and the product must not be modified in any way.

-  Luminaires marked with this symbol must not be covered with thermally insulating material.
-  This symbol on covers over light sources indicates dangerous live parts do not operate the luminaire with this cover removed.

Dimensions



Product Name: **SIGNUM R**

| | |
|---|--|
| <p>1</p> <p>Remove the product from its packaging.</p> | <p>2</p> |
| <p>3</p> <p>Remove the diffuser from the luminaire body.</p> | <p>4</p> <p>Use the removal tool to release the LED unit from the luminaire body.</p> |
| <p>5</p> <p>Unclip the retention wires and disconnect the power connector.</p> | <p>6</p> <p>Attach two end caps. If connecting multiple lengths, see steps 13 - 16.</p> |
| <p>7</p> <p>Attach the retention arms as shown.</p> | <p>8</p> <p>Bring supply cable through the ceiling opening and cable entry.</p> |

Page 2 of 4

Tamlite Technical
 Stafford Park 12,
 Telford, Shropshire,
 TF3 3BJ

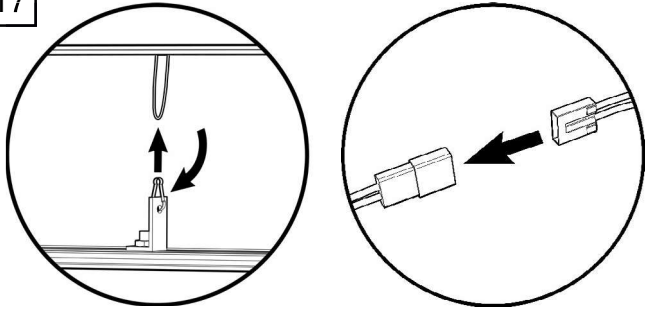
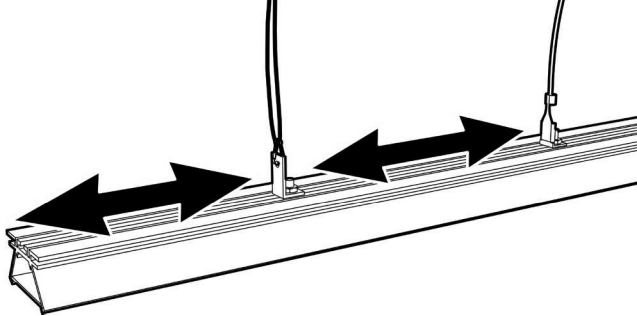
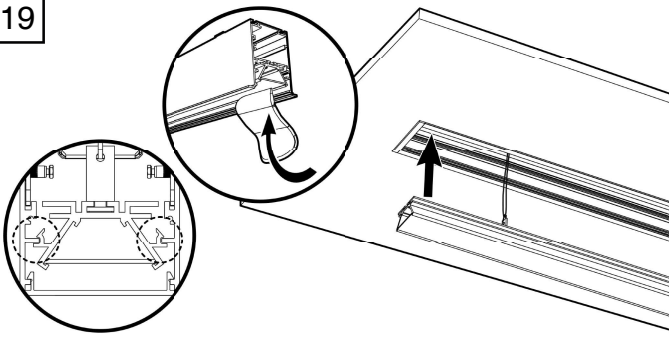
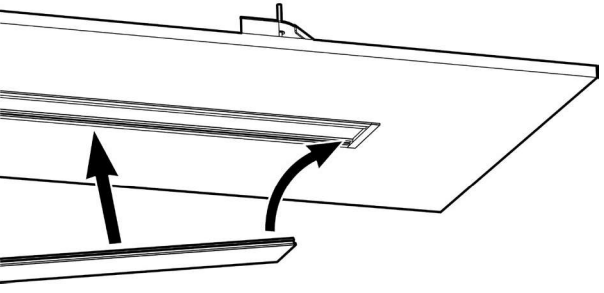
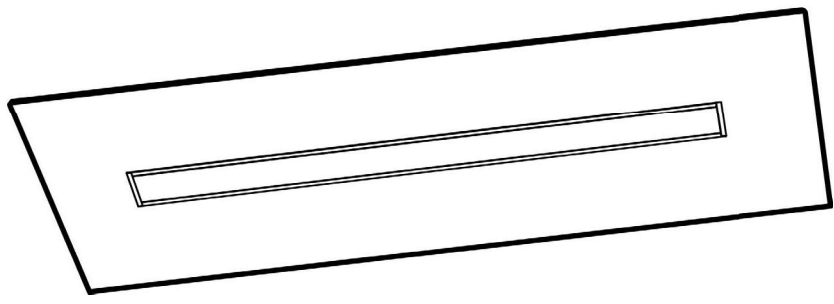
+44(0)1952 292441
 technical@tamllite.co.uk
 Document No: V2

| | | | | | | | |
|--|--|--|---------------------|--|------|------|---|
| | | | 220-240V 50/60Hz | | IP20 | IK08 | ta 0°C to 25°C 5°C to 25°C for M3 variants |
|--|--|--|---------------------|--|------|------|---|

Product Name: **SIGNUM R**

| | |
|--|--|
| <p>9</p> <p>Install luminaire body in to ceiling opening.</p> | <p>10</p> <p>Tighten the screw on each end to open retention arms and secure the luminaire.</p> |
| <p>11</p> <p>Terminations shown for standard and emergency variants.</p> | <p>12</p> <p>Terminations shown for DALI dimmable and DALI emergency variants.</p> |
| <p>13</p> <p>To join multiple lengths use the SGC accessory.</p> | <p>14</p> <p>Tighten the bolts to lock the SGC to the luminaire body.</p> |
| <p>15</p> <p>Connect the electrical connectors and slide the luminaires together.</p> | <p>16</p> <p>Tighten the bolts to lock the SGC to the luminaire body.</p> |

Product Name: **SIGNUM R**

| | |
|--|---|
| <p>17</p>  <p>Reconnect the retention wires and power connector.</p> | <p>18</p>  <p>Adjust retention point locations as required.</p> |
| <p>19</p>  <p>Replace the LED unit and ensure a secure connection with the luminaire body.</p> | <p>20</p>  <p>Locate one edge of the diffuser in to the body and click the other side in to place.</p> |
| <p>21</p>  | |