



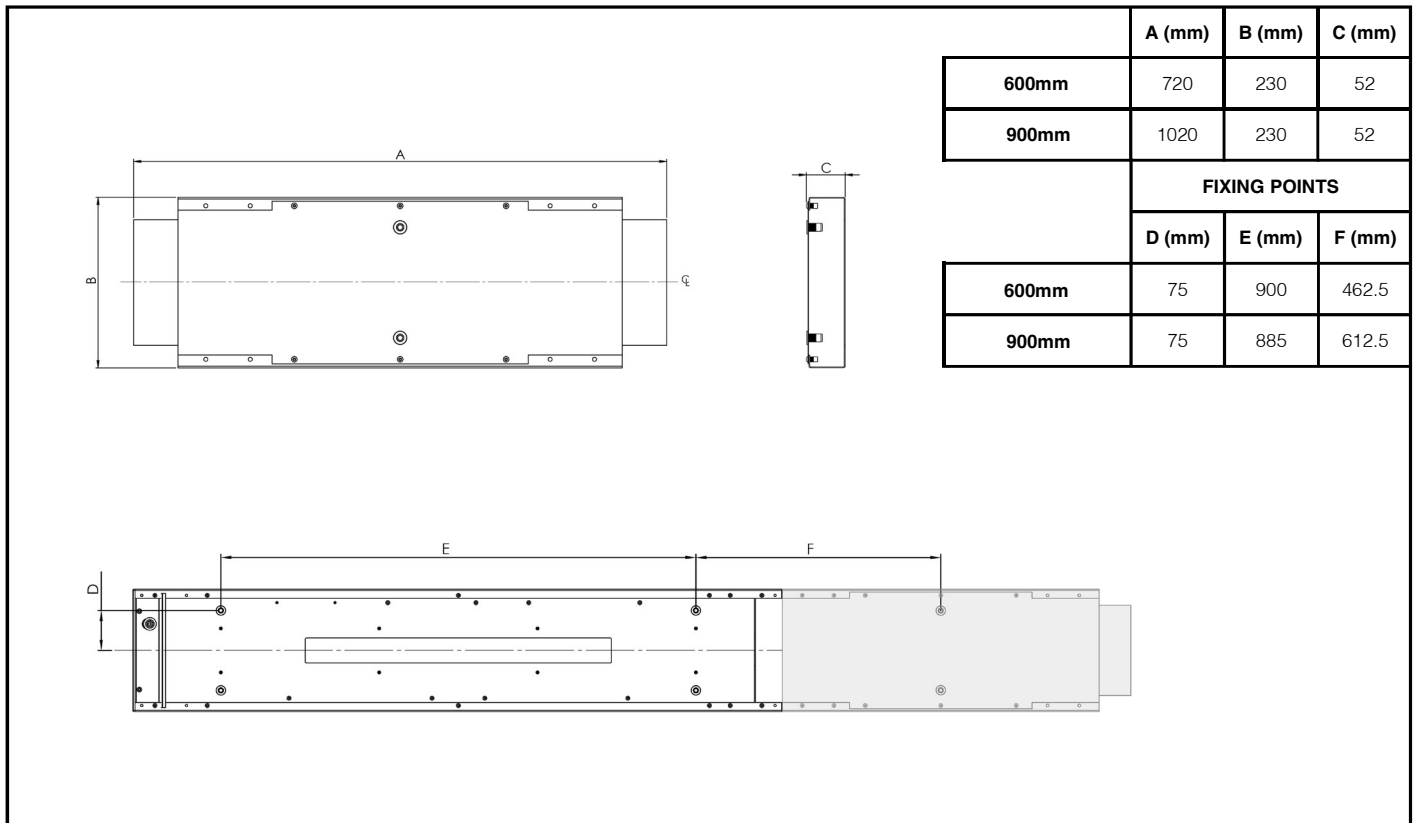
Product Name: EDGE CONTINUOUS INFILL

General information

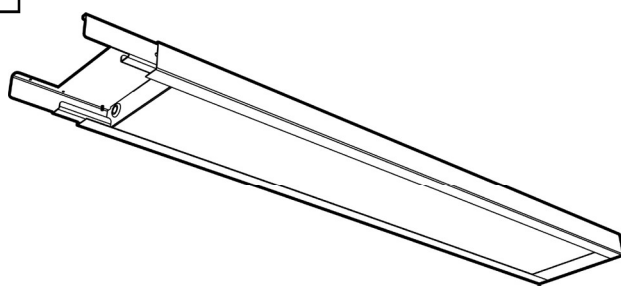
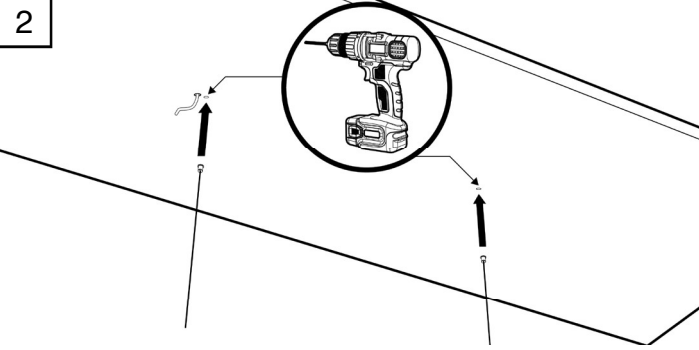
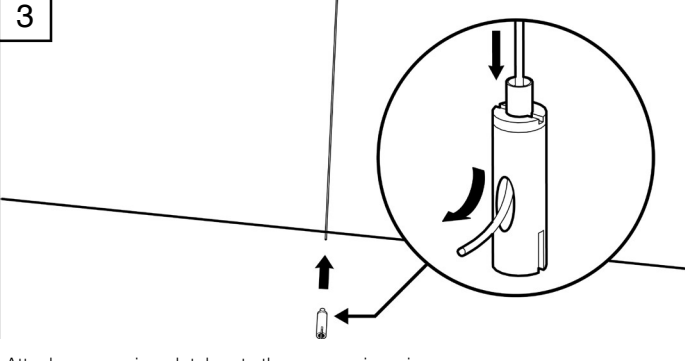
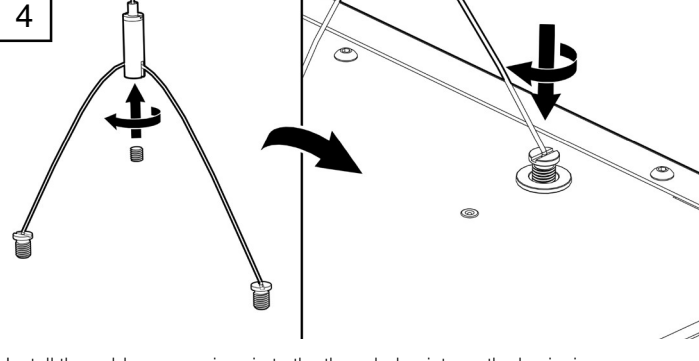
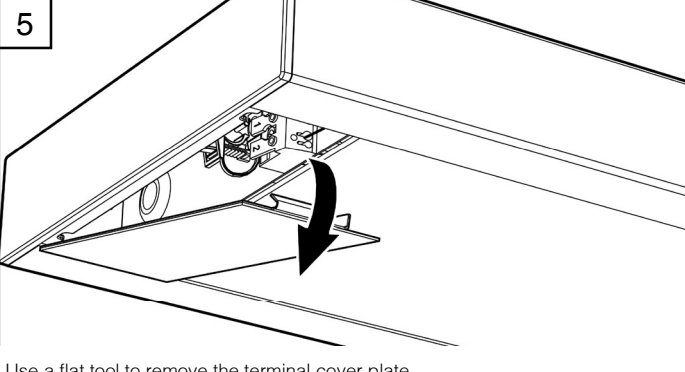
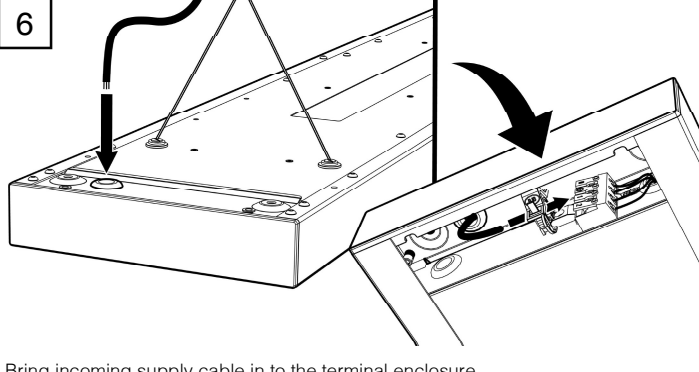
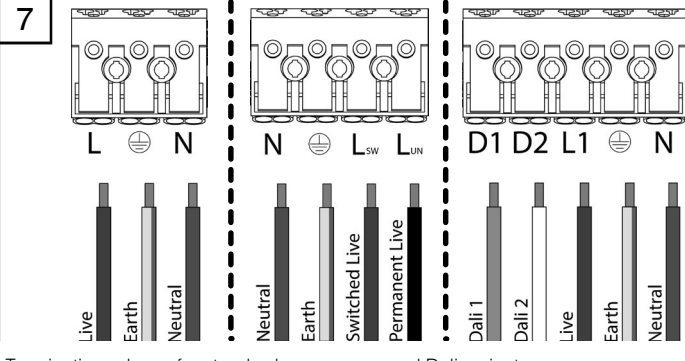
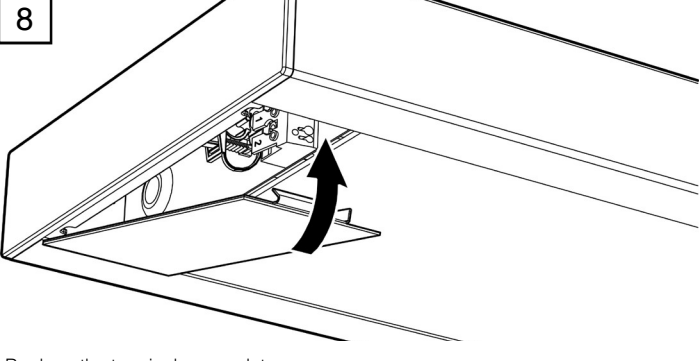
- This luminaire must be installed in accordance with the latest edition of the IET Wiring Regulations and local Building Regulation by a qualified competent person.
- The mains power supply must be turned off before inspection, installation or removal of the luminaire, ensuring that the supply is locked off to prevent inadvertently switching the supply on.
- It is the installer's responsibility to ensure that the installation is suitable for the total load of the luminaire(s). The supply cable fuses/circuit breakers must be correctly rated for the electrical load and taking into account for any transient inrush currents that may occur.
- It is the installer's responsibility to ensure that the environmental operating and storage conditions are complied with and that any fire risks are considered.
- Do not perform insulation strength or insulation resistance tests on the installation with the luminaire(s) connected, this can damage the luminaires and give erroneous readings.
- Do not loop-in supply cables at the luminaire supply terminals unless there is provision for 2-way connection at the terminals.
- The light source contained in this luminaire must only be replaced by TamLite Lighting or an appointed service agent.
- Emergency lighting luminaires must be installed and maintained in accordance with the emergency lighting standard BS 5266-1.
- To ensure that the product warranty remains valid, the luminaire must be installed and maintained in accordance with these installation instructions and the product must not be modified in any way.

-  Luminaires marked with this symbol must not be covered with thermally insulating material.
-  This symbol on covers over light sources indicates dangerous live parts do not operate the luminaire with this cover removed.

Dimensions




Product Name: **EDGE CONTINUOUS INFILL**

<p>1</p>  <p>Remove the product from its packaging.</p>	<p>2</p>  <p>Prepare appropriate holes in the mounting surface and fit cable suspensions.</p>
<p>3</p>  <p>Attach suspension clutches to the suspension wires.</p>	<p>4</p>  <p>Install the cable suspensions in to the threaded points on the luminaire.</p>
<p>5</p>  <p>Use a flat tool to remove the terminal cover plate.</p>	<p>6</p>  <p>Bring incoming supply cable in to the terminal enclosure.</p>
<p>7</p>  <p>Terminations shown for standard, emergency and Dali variants.</p>	<p>8</p>  <p>Replace the terminal cover plate.</p>

Page 2 of 3

Tamlite Technical
 Stafford Park 12,
 Telford, Shropshire,
 TF3 3BJ

+44(0)1952 292441
 technical@tamlite.co.uk
 Document No: V1

			220-240V 50/60Hz		IP20	ta 0°C to 25°C 5°C to 25°C for M3 variants
---	---	--	---------------------	---	------	---

<p>9</p>	<p>10</p> <p>Connect the infill and luminaire together and secure with the supplied bolts.</p>
<p>11</p> <p>Locate and connect the through wiring system.</p>	<p>12</p> <p>Ensure the connectors are secure.</p>
<p>13</p> <p>Prepare appropriate holes in the mounting surface and fit cable suspensions.</p>	<p>14</p> <p>Install the cable suspensions into the threaded points on the infill back plate.</p>
<p>15</p> <p>Secure the infill back plate to the infill section with the supplied bolts.</p>	<p>16</p>



Tamlite Technical
Stafford Park 12,
Telford, Shropshire,
TF3 3BJ

☎ +44(0)1952 292441

✉ technical@tamlite.co.uk

Document No: V1